

Installation Instructions

Control Panel HS 3220
for Gas hot water boiler G 124 X Model Boilers

WARNING

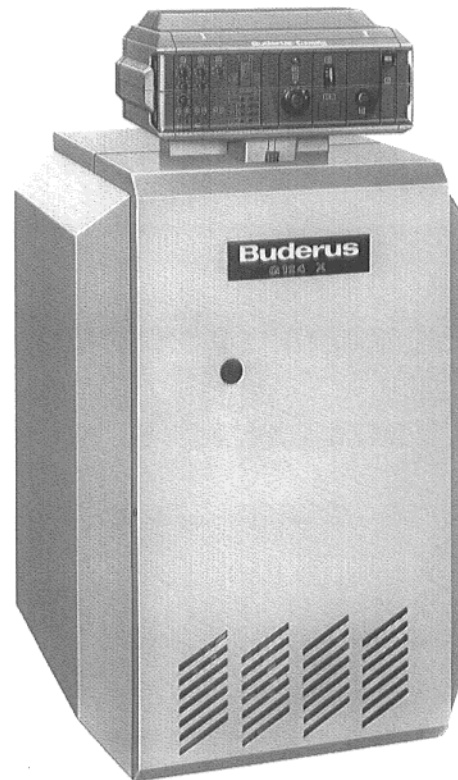
Before putting the burner into operation read this manual carefully.

WARNING

Improper installation, adjustment, alteration, service or maintenance can cause injury or property damage. Refer to this manual. For assistance or additional information consult a qualified installer, service agency or the gas supplier.

CAUTION

The operating manual is part of this documentation that is delivered to the installation's operator. Go through the information in this manual with the owner/operator and make sure that he or she is made familiar with all the necessary operating instructions.



Please save these instructions!

Installing the control panel (accessory)

The control panel HS 3220 is available from Buderus as an accessory.

- Remove the jacket screws from the top of the boiler (Fig. 1).

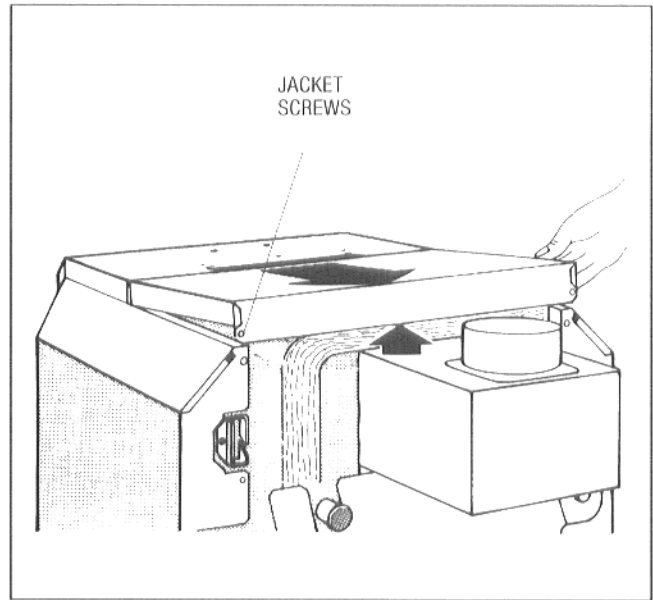


Fig.1: Removing the rear boiler hood fastening screws

- Remove the 2 screws from the back of the Ecomatic (Fig. 2) and remove the wiring access cover.
- Remove the 2 screws from the cable raceway cover (Fig. 2) and remove cover.
- Position the Ecomatic on the front top jacket panel so that the hooks on the Ecomatic fit into the oval holes in the jacket panel and align the pins and tabs with the appropriate round and rectangular holes. Snap the control into place.

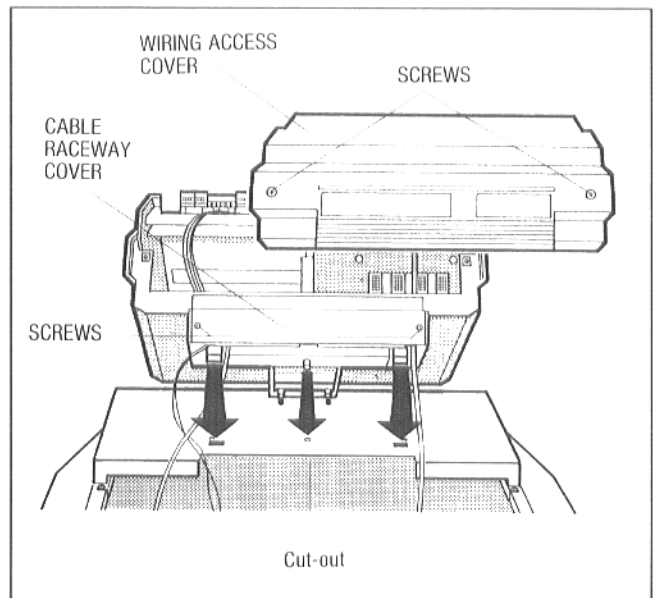


Fig. 2: Opening and positioning the control panel

- Secure the Ecomatic to the jacket with the screws provided (Fig. 3).

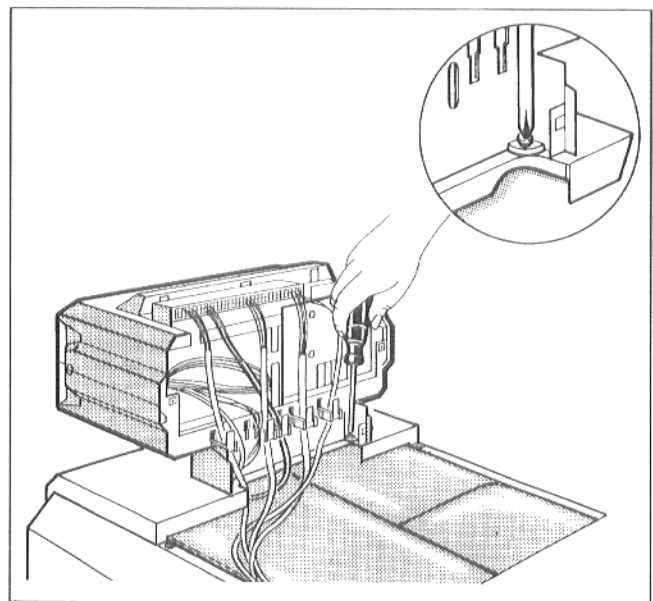


Fig. 3: Screwing on the control panel

- Unroll the capillary tubes of the sensors that are stored in the back of the Ecomatic and separate the sensors from the protective plastic coil.
- Identify the 004 sensor. This sensor is approximately 1.5 inches long and has a insulated white lead that is connected to the green FK plug. The STB sensor is labeled with a "N" near the 3.5 inch long copper sensor. Route the 004 and the STB sensors under the front top jacket panel to the sensor well located on the front of the boiler (Fig. 4/5). Remove the spacers from the well and install the 004 and STB sensors in the well.

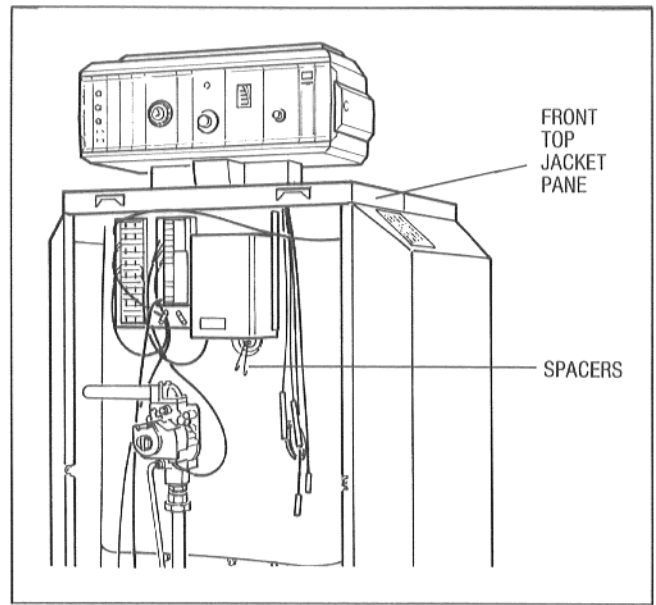


Fig. 4: Front side

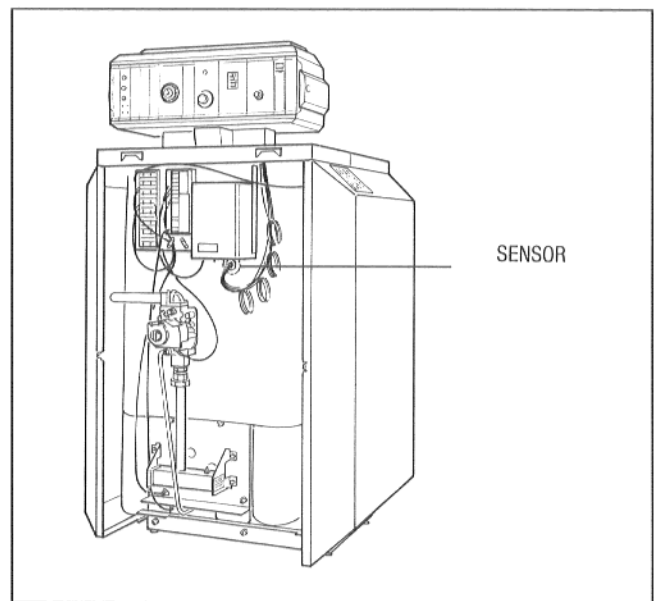


Fig. 5

- Route the remaining two sensors, the M 126 adjustable aquastat sensor and temperature gauge sensors, to the supply manifold on the back of the boiler (Fig. 6). Attach these two sensors to the supply manifold using the spring provided. Cover the sensors with the Warmeleitpaste provided and wrap the sensors and the piping with insulation.

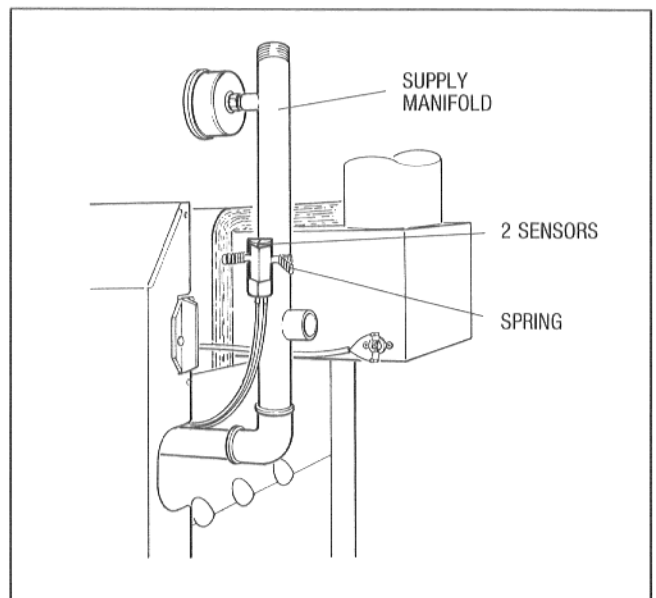


Fig. 6

- Coil up the excess length of capillary tubes, being careful not to kink the tubing, and store the coiled tubing in the back of the Ecomatic.
- Wire the Ecomatic per the wiring diagrams furnished with the Ecomatic control. Route wires through back of boiler and on top of insulation. Ensure no wires come in contact with the hot parts of the boiler. All wiring must comply with local codes.
- Secure the leads to the back of the Ecomatic using the cable clips provided. Slide the clip into place, push downward to fasten to the control, and rotated the lever upward to secure wire in place (Fig. 7).
- Install the cable raceway cover and secure with the two screws provided.
- Install the wiring access cover and secure with the two screws provided.
- Install the top rear jacket panel and secure with the screws provided.
- If work is to be done above the boiler, protect the Ecomatic from water, solder or other debris.
- Follow start up procedure in the Ecomatic Operating Instructions.

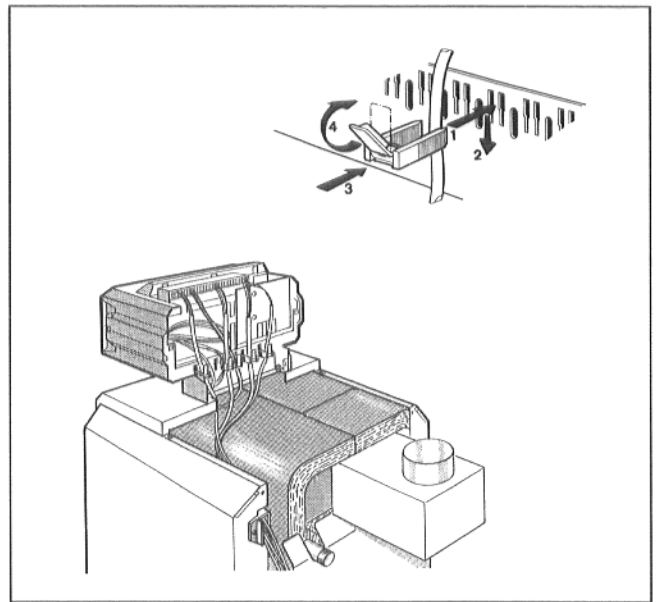


Fig. 7

Addresses

Installing contractor

Manufacturer Buderus Hydronic Systems, Inc.
16, Industrial Way
Salem, N. H. 03079
Phone: (603) 898-0505 · Fax: (603) 898-1055

Subject to change without notice!
Printed in Germany