

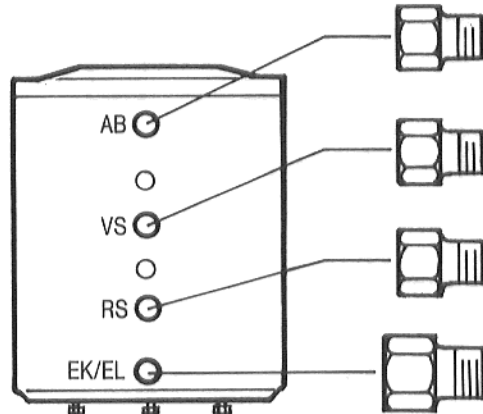
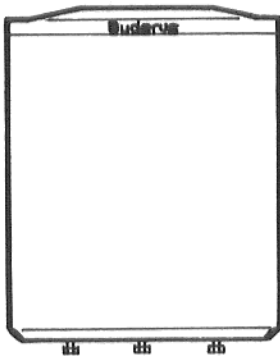
Supplementary Sheet

for installation manual

S 150 - 300, L 135 - 200, LT 135 - 300, ST 401

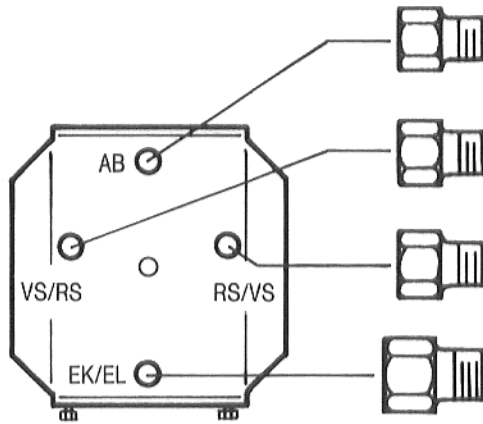
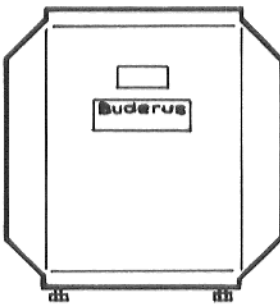
Connection adapters

S 150 - 300



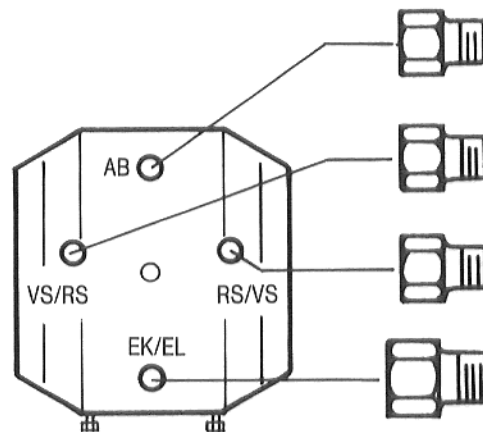
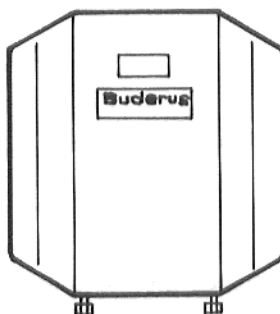
- brass Rp* 1" to 1" - 11 1/2 NPT
- steel Rp* 1" to 1" - 11 1/2 NPT
- steel Rp* 1" to 1" - 11 1/2 NPT
- brass Rp* 1 1/4" to 1 1/4" - 11 1/2 NPT

L 135 - 200



- brass Rp* 1" to 1" - 11 1/2 NPT
- steel Rp* 1" to 1" - 11 1/2 NPT
- steel Rp* 1" to 1" - 11 1/2 NPT
- brass Rp* 1 1/4" to 1 1/4" - 11 1/2 NPT

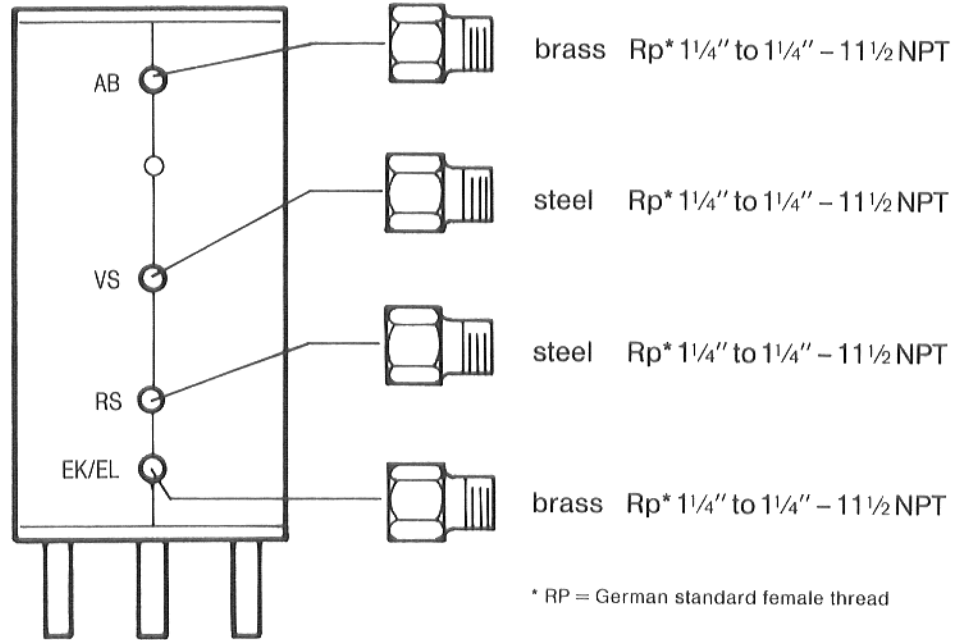
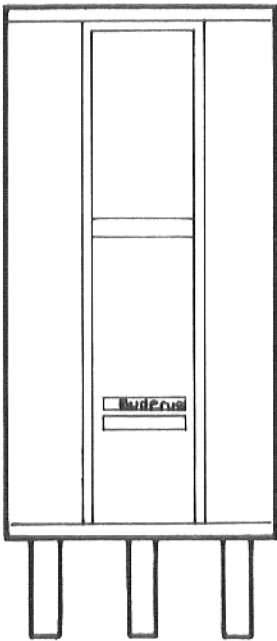
LT 135 - 300



- brass Rp* 1" to 1" - 11 1/2 NPT
- steel Rp* 1" to 1" - 11 1/2 NPT
- steel Rp* 1" to 1" - 11 1/2 NPT
- brass Rp* 1 1/4" to 1 1/4" - 11 1/2 NPT

* RP = German standard female thread

ST 401



The adapters supplied must be sealed in according to the relevant storage tank model as shown in the illustrations.